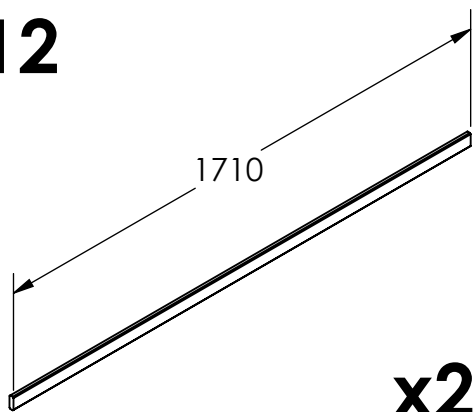
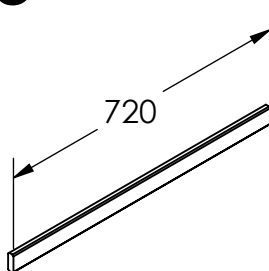


**12**



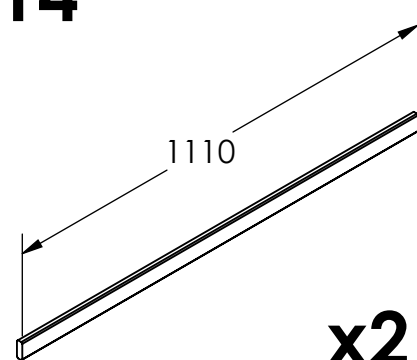
**x2**

**13**



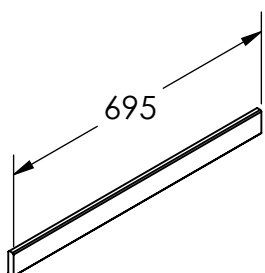
**x2**

**14**



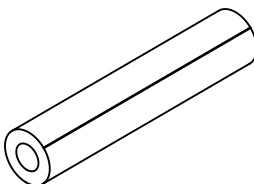
**x2**

**15**



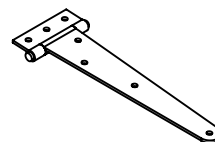
**x1**

**R**



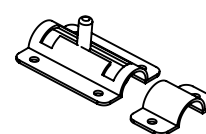
**x1**

**Z**








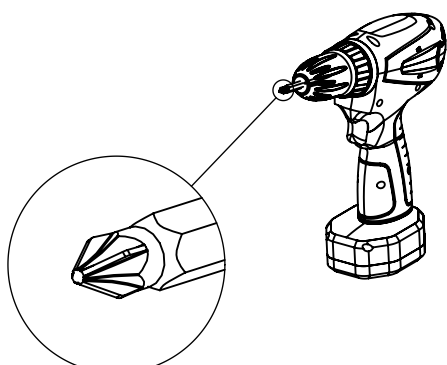
**x2**

**X**

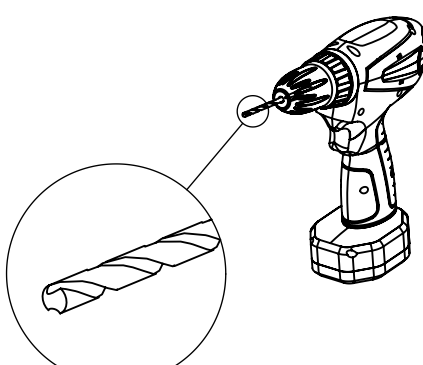


**x1**

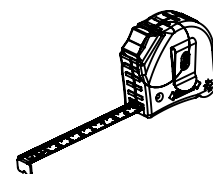
A		3,5x16	x6
B		3,5x25	x14
C		3,5x35	x16
D		3,5x40	x43
E		3,5x50	x16



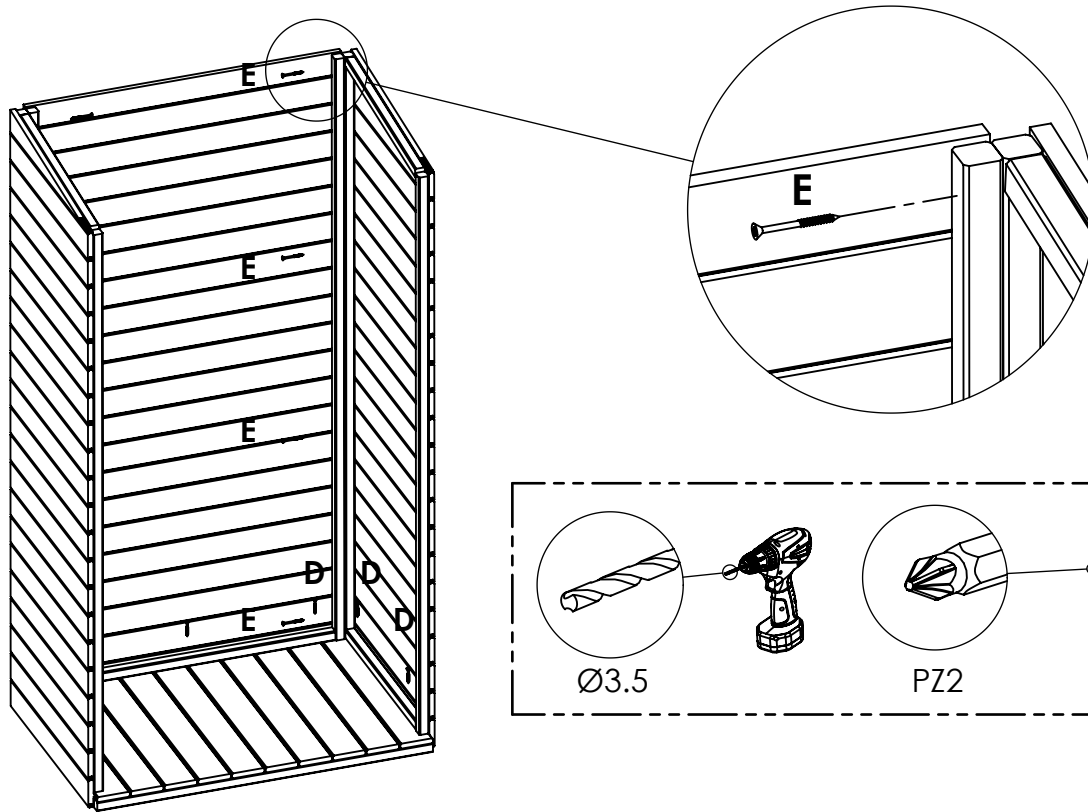
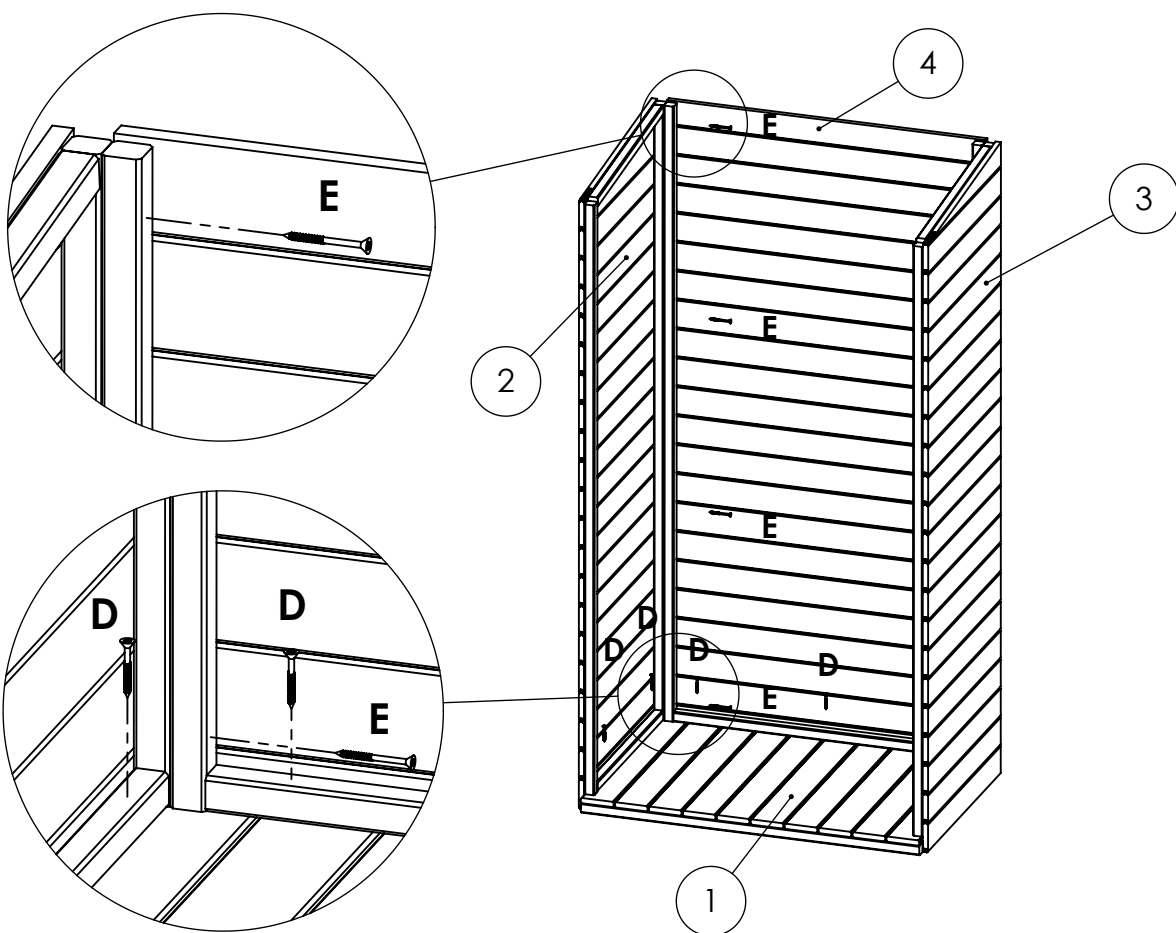
PZ2





Ø3.5

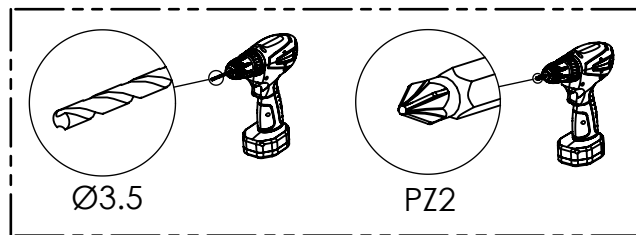
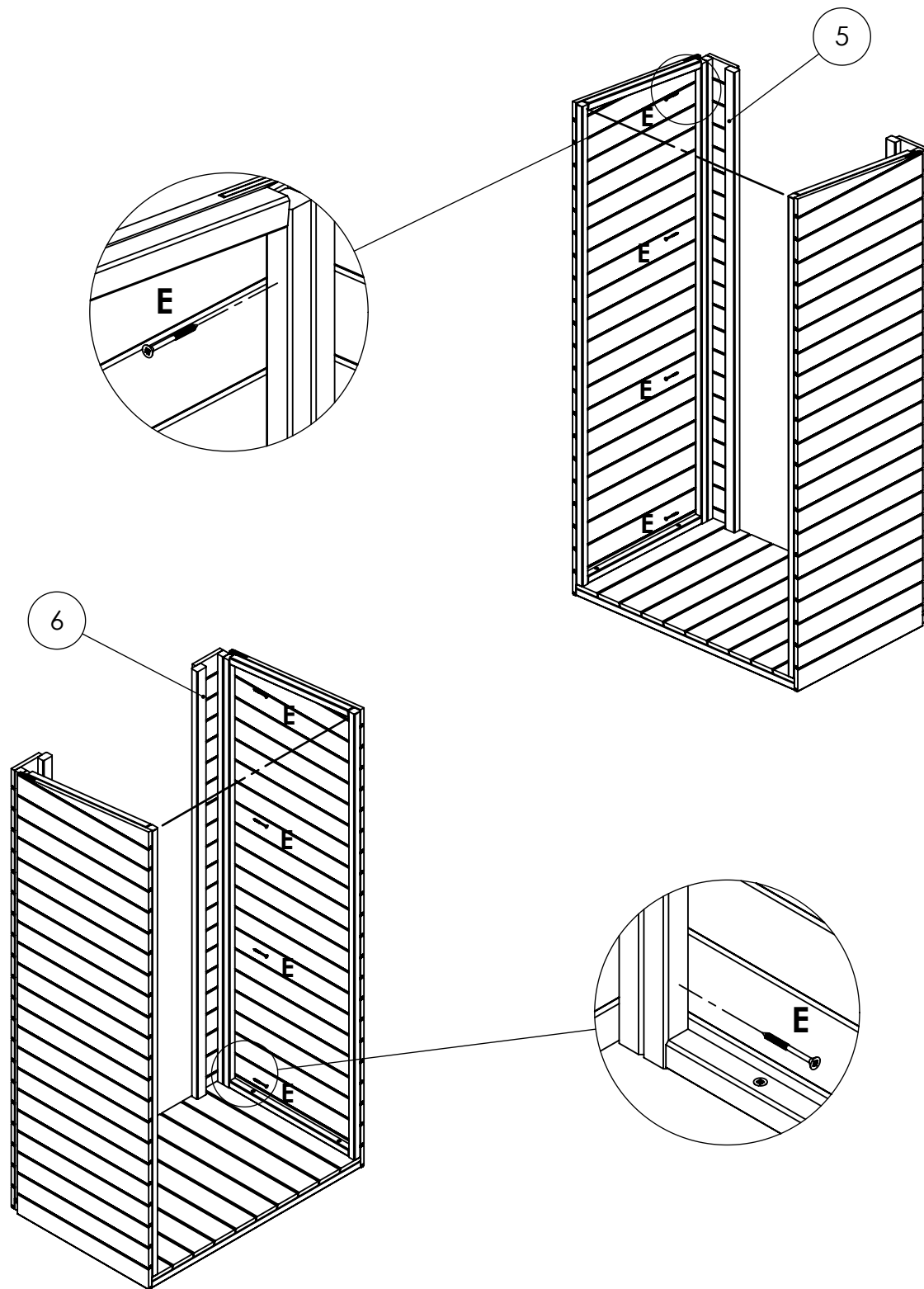


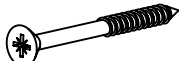
# 1



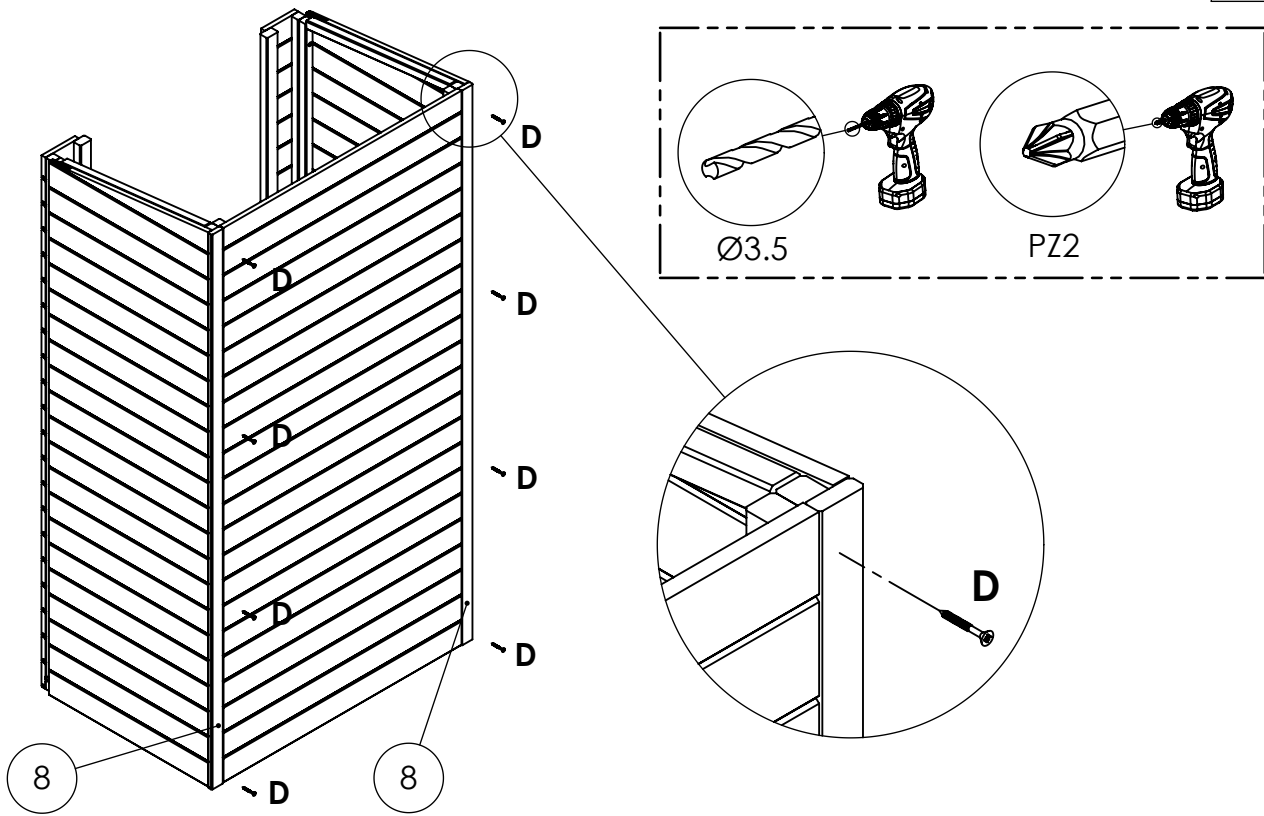
D		3,5x40	x7
E		3,5x50	x8

# 2



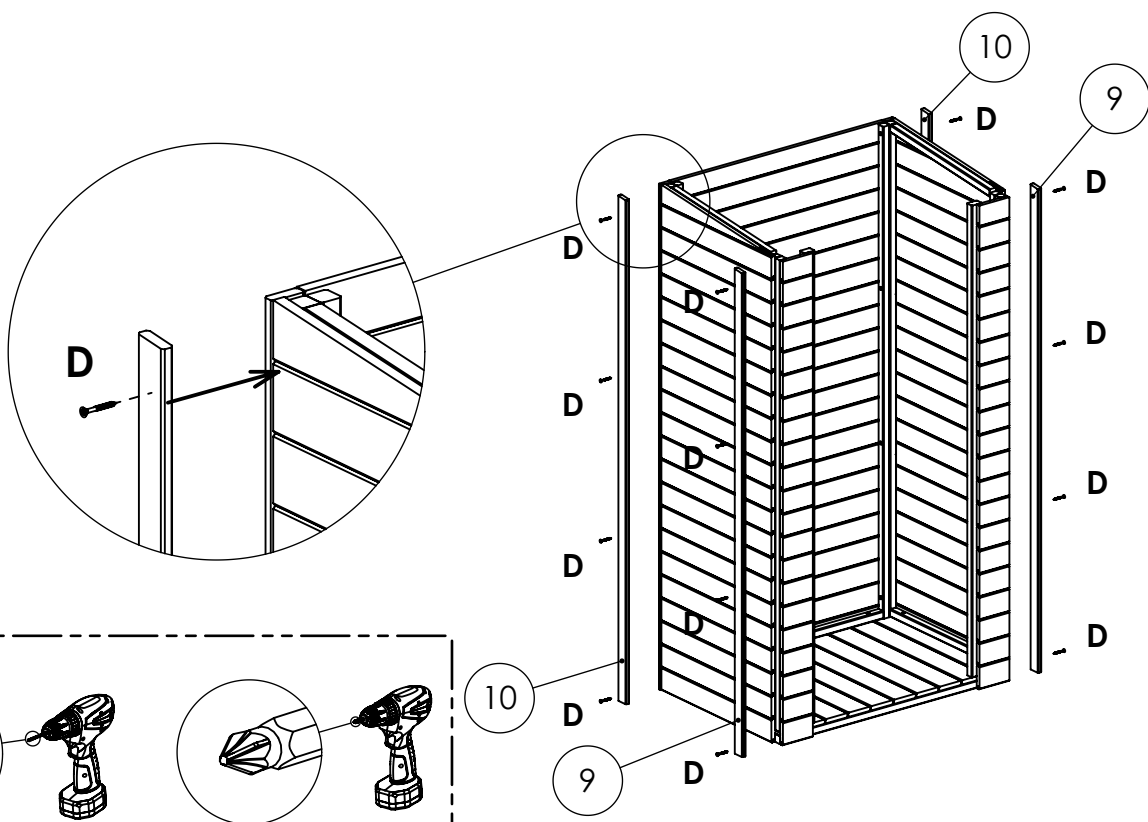
E		3,5x50	x8
---	---	--------	----

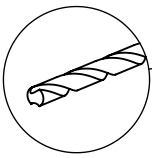
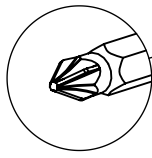
# 3



D		3,5x40	x8
---	--	--------	----

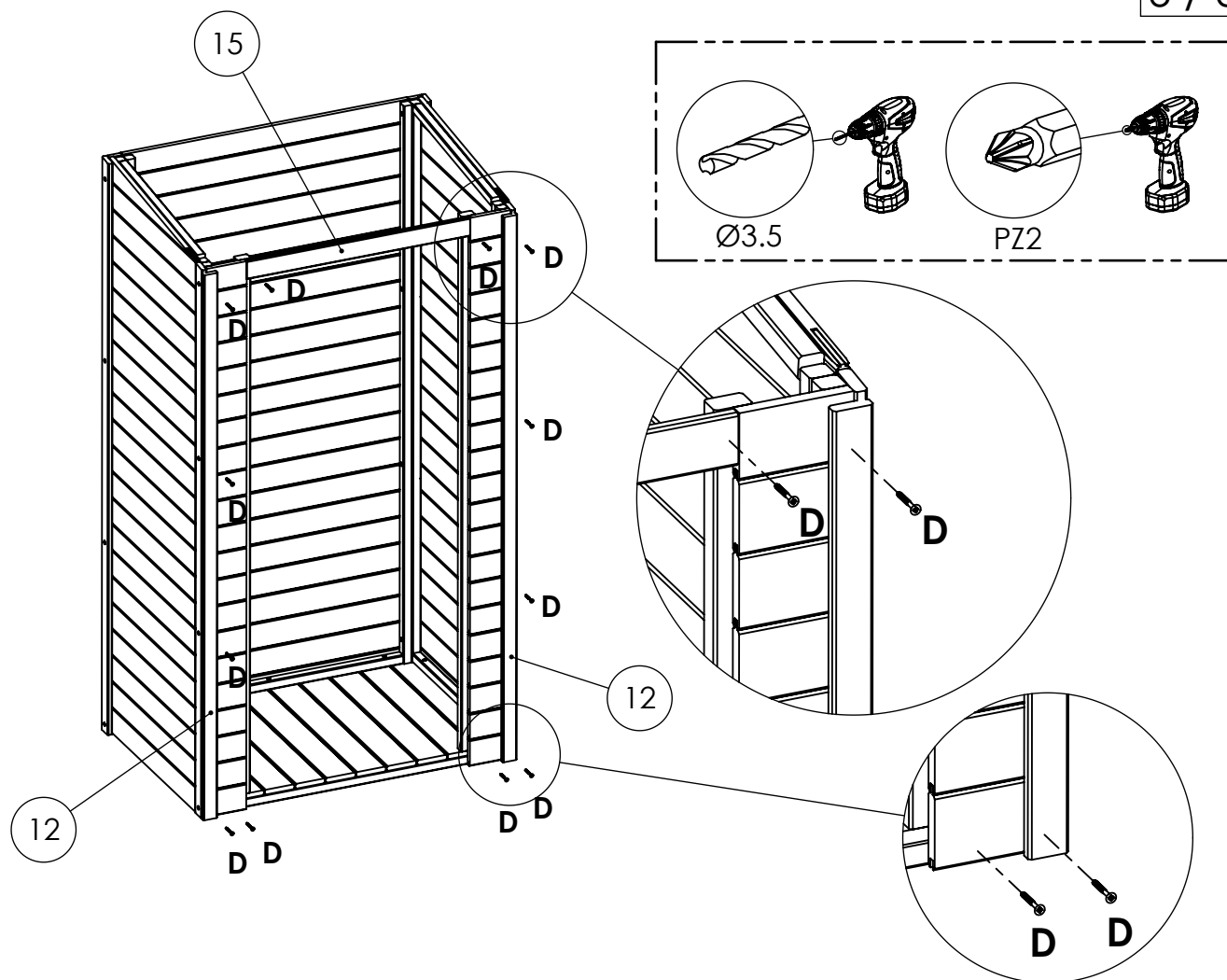
# 4



		Ø3.5	PZ2
---	---	------	-----

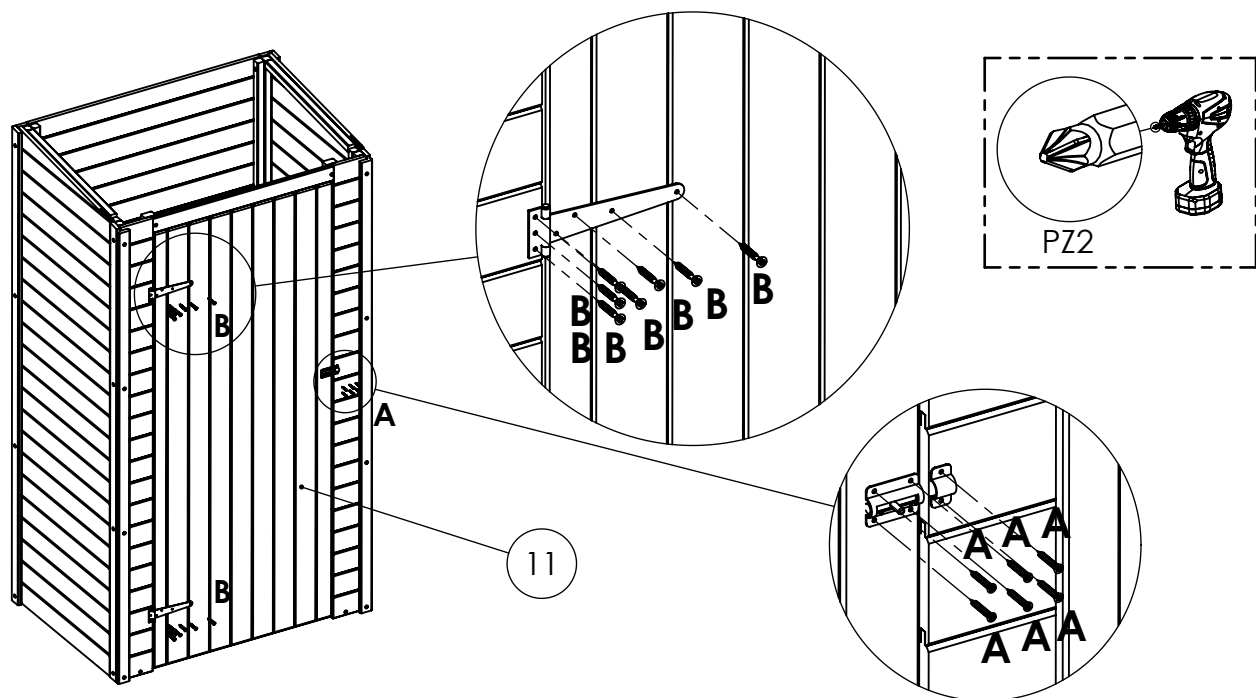
D		3,5x40	x16
---	---	--------	-----

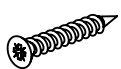

# 5



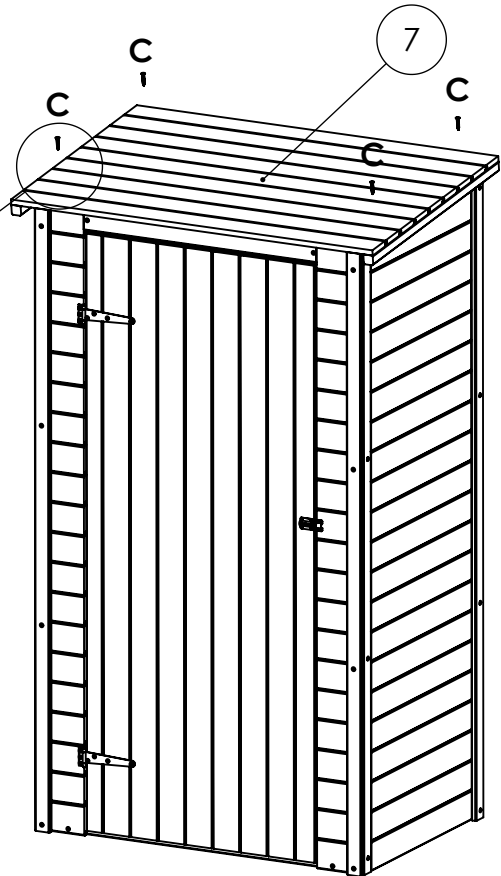
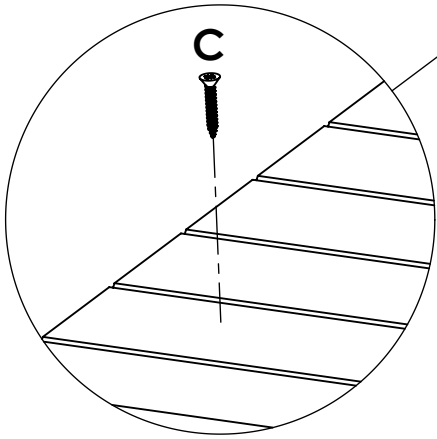
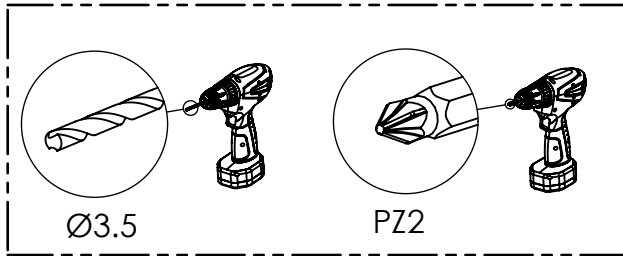
D		3,5x40	x12
---	---	--------	-----

# 6



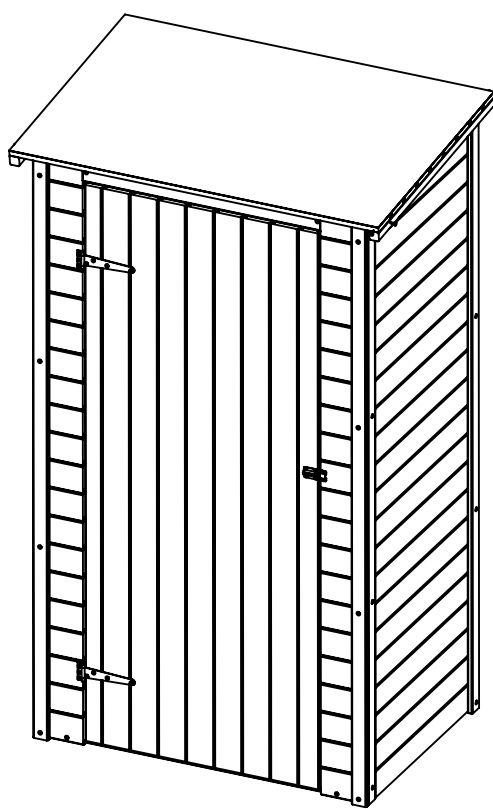
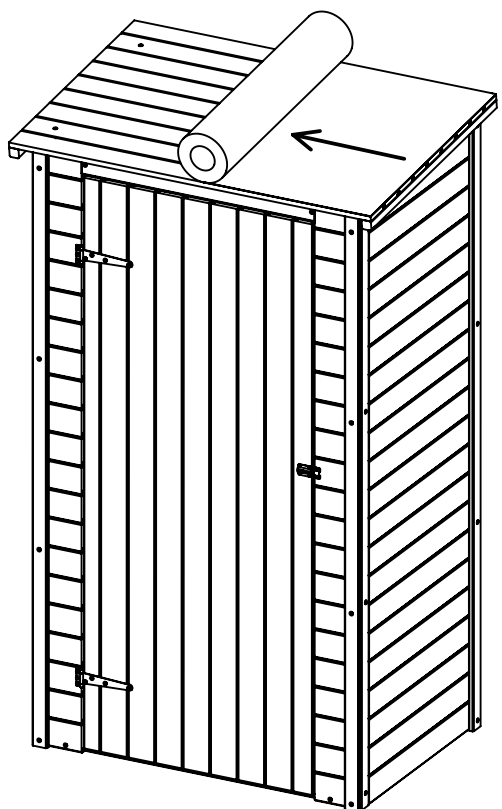
A		3,5x16	x6
B		3,5x25	x14

# 7

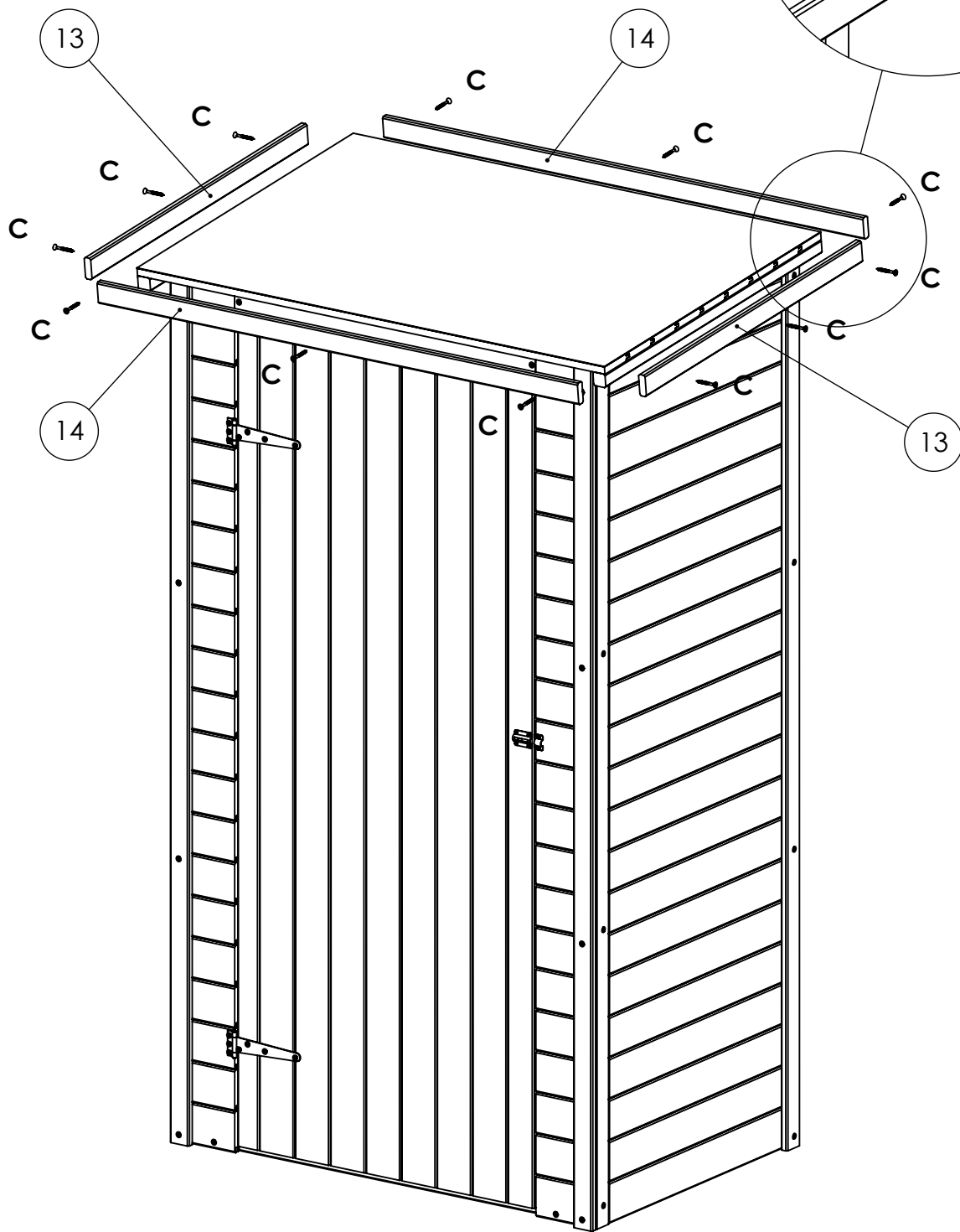
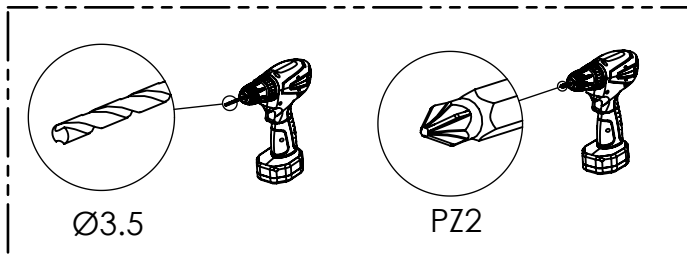


C		3,5x35	x4
---	---	--------	----

# 8



9



C		3,5x35	x12
---	---	--------	-----